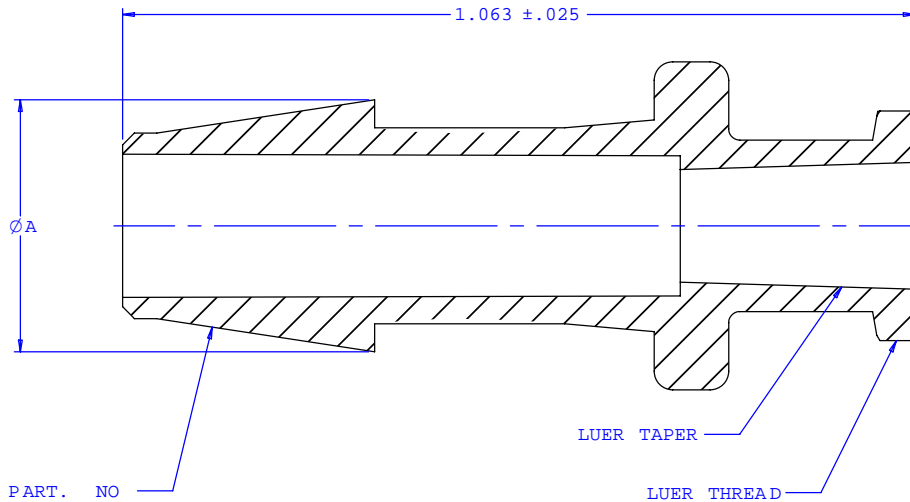


INSTRUMENT QUALITY PART. NO
 PARTING LINE PERMITTED ON
 THIS CONICAL SURFACE



SECTION B-B

